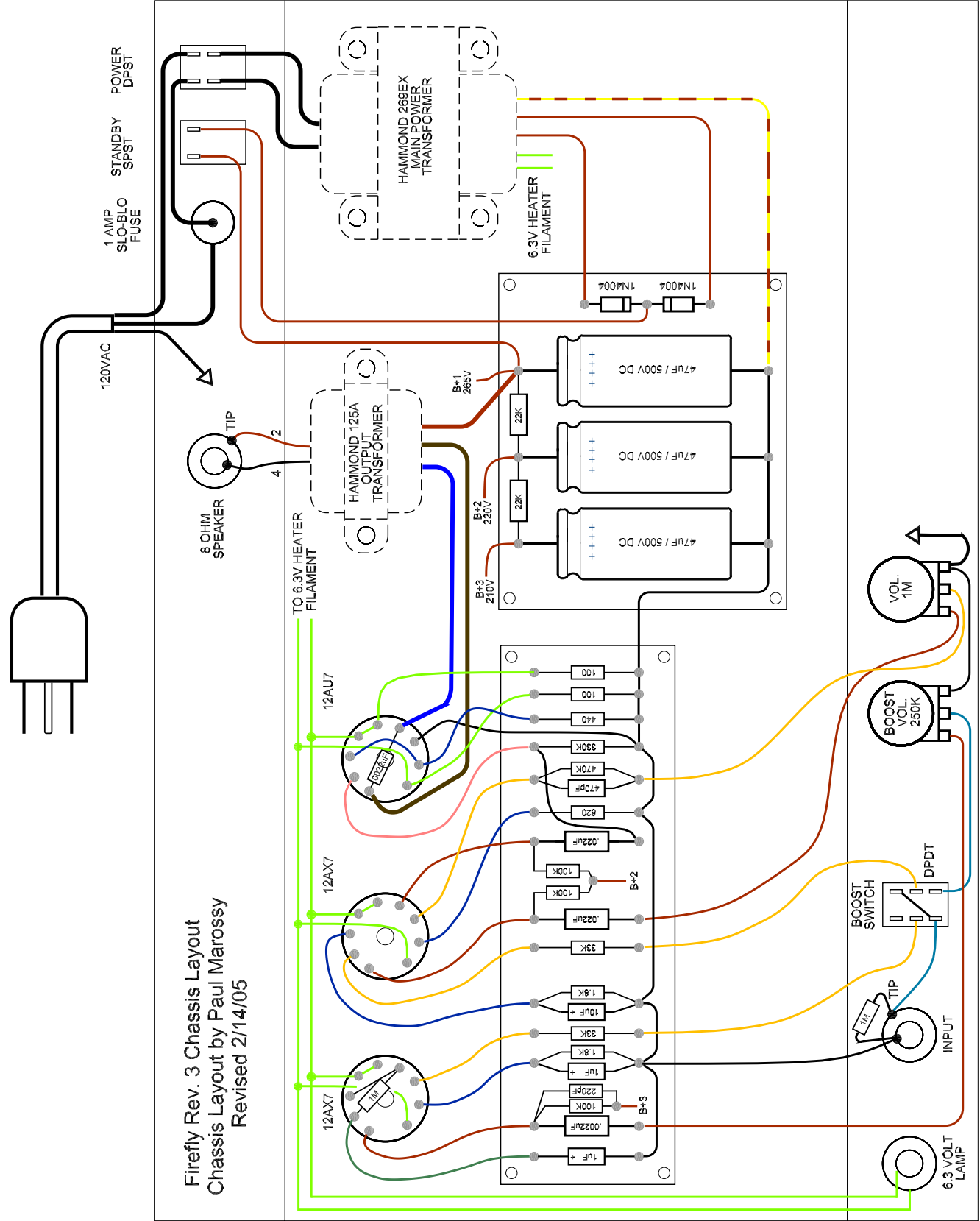


Firefly Rev. 3 Chassis Layout  
 Chassis Layout by Paul Marossy  
 Revised 2/14/05



120VAC

1 AMP  
SLO-BLO  
FUSE

STANDBY  
SPST

POWER  
DPST

8 OHM  
SPEAKER

TIP

TO 6.3V HEATER  
FILAMENT

12AU7

12AX7

12AX7

HAMMOND 125A  
OUTPUT  
TRANSFORMER

HAMMOND 269EX  
MAIN POWER  
TRANSFORMER

B+1  
265V

B+2  
220V

B+3  
210V

22K

22K

22K

47uF / 500V DC

47uF / 500V DC

47uF / 500V DC

100

100

440

330K

470K

4.7uF

820

.022uF

100K

100K

39K

.022uF

1.8K

1.8K

1.8K

1.8K

1.8K

1.8K

1.8K

1.8K

100K

220PF

.0022uF

1uF

47uF / 500V DC

47uF / 500V DC

47uF / 500V DC

100

100

440

330K

470K

4.7uF

820

.022uF

100K

100K

39K

.022uF

1.8K

1.8K

1.8K

1.8K

1.8K

1.8K

1.8K

1.8K

100K

220PF

.0022uF

1uF

BOOST  
VOL.  
250K

VOL.  
1M

BOOST  
SWITCH

INPUT  
TIP

6.3 VOLT  
LAMP

DPDT