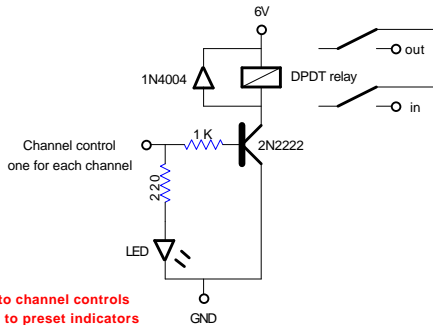
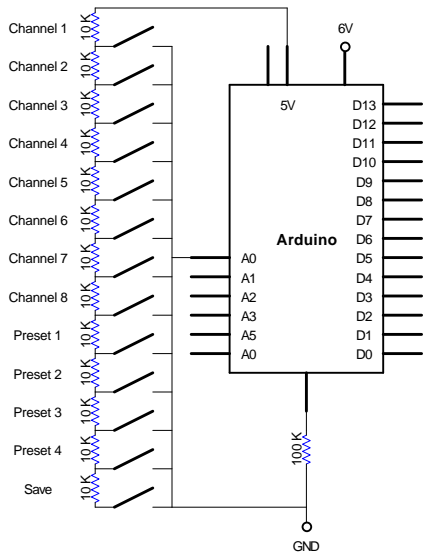


Arduino programmable effect/amplifier switcher v2

diy-fever.com

v2



D1-D9 to channel controls
D10-D13 to preset indicators

Preset indicator
one for each preset

